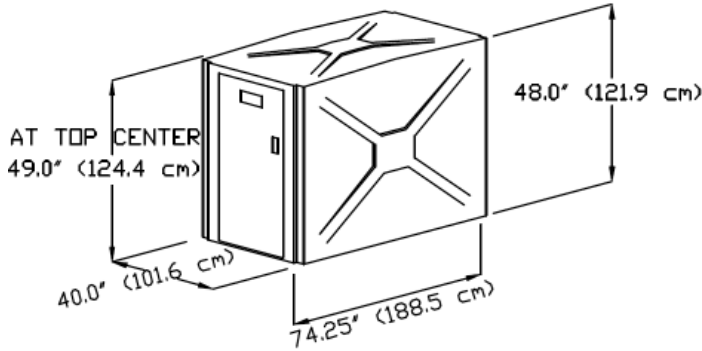


## Fiberglass Bike Locker - 302

..... Cut Sheet & Quick Specifications

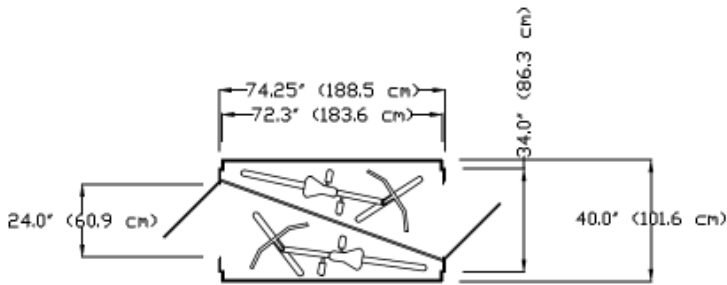


### MATERIALS & FEATURES

- Structure: Fiberglass reinforced plastic
- Hardware: 1/2" stainless steel bolts
- 3/8" anchors
- Teflon washers
- Heavy gauge stainless steel continuous door hinge
- Zinc plated fasteners and assembly hardware
- Stackable

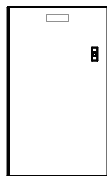
### FINISH OPTIONS

- Fiberglass reinforced plastic with a solid color stipple texture finish allows for easy removal of graffiti and is resistant to impact, scratches and U.V. damage.
- Finish does not need painting, resists impact plus chemicals and stains. Materials will withstand extremes in temperature and other weather environmental conditions.
- Tan and medium grey colors are available.



### MOUNTING OPTIONS

- Stand alone or grouped options are available.
- A stacking option is also available for specific models
- Bottom edge must be a minimum of 1" above ground level



END VIEW