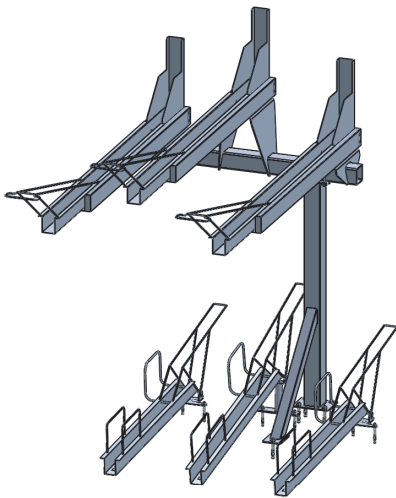


**DOUBLE DOCKER™ DD04**



**DOUBLE DOCKER™ DD06**

### MATERIALS & FEATURES

- All steel construction, ASI materials, for durability
- Plastic wheels for smooth travel of slide
- Urethane bumpers to absorb slide impact
- Zinc plated hardware
- Two-tier allows double the density
- Vertically staggered position prevents handle bar conflicts
- Gas strut Lift-assist makes loading easy – very little strength required\*
- Grade 5 U-bolts keeps upper row secured
- Convenient locking loops to lock frame and wheel on bike
- Movable legs allow retro-fitting over existing horizontal bike parking

\* Meets SMFTA requirements

### FINISH

- Hot-Dipped Galvanized (**Marine Environment**)
- Black Powder Coat

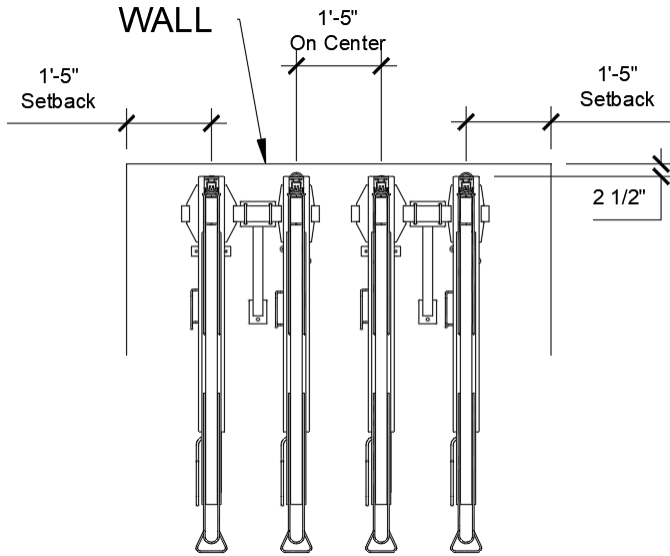
### CONFIGURATIONS & FOOTPRINT W/BIKES

- DD04 - 49.5" W 84" L X 102" H, - 4 bikes secured
- DD06 - 66.0" W 84" L X 102" H, - 6 bikes secured

### MOUNTING OPTIONS

Surface Mount - Concrete (**Anchors sold separately**)

\*Please contact us for additional information on Offset as a long-term parking solution.



**SPACE USE RECOMMENDATIONS**

- Ceiling height: Minimum 102"
- Loading zone: Recommended 48"-72"
- Distance to front wall: 10" to center of beam (2.5" to edge of dock)
- Distance to side wall: 14.5" to 17" from center of bike
- When adding other Double Docker™ units in longer rows, maintain 17" bike to bike spacing
- Bike to bike spacing 17" OC standard

